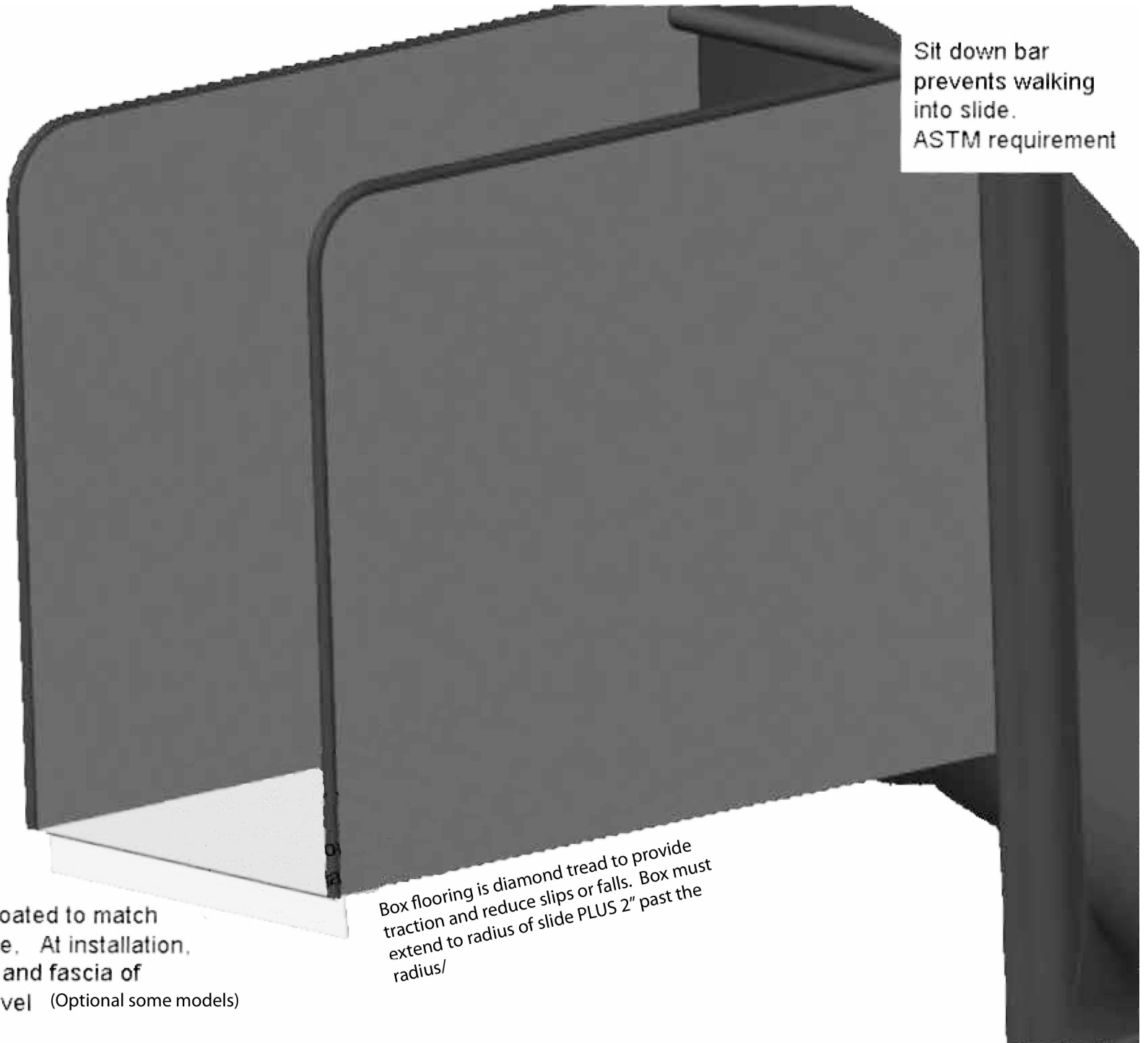


Sidewall and leading edge capped with round rod welded to sidewall edges.

Bracket is powdercoated to match color. Shipped loose. At installation, join bracket to side and fascia of opening at upper level (Optional some models)

Box flooring is diamond tread to provide traction and reduce slips or falls. Box must extend to radius of slide PLUS 2" past the radius/

Sit down bar prevents walking into slide. ASTM requirement

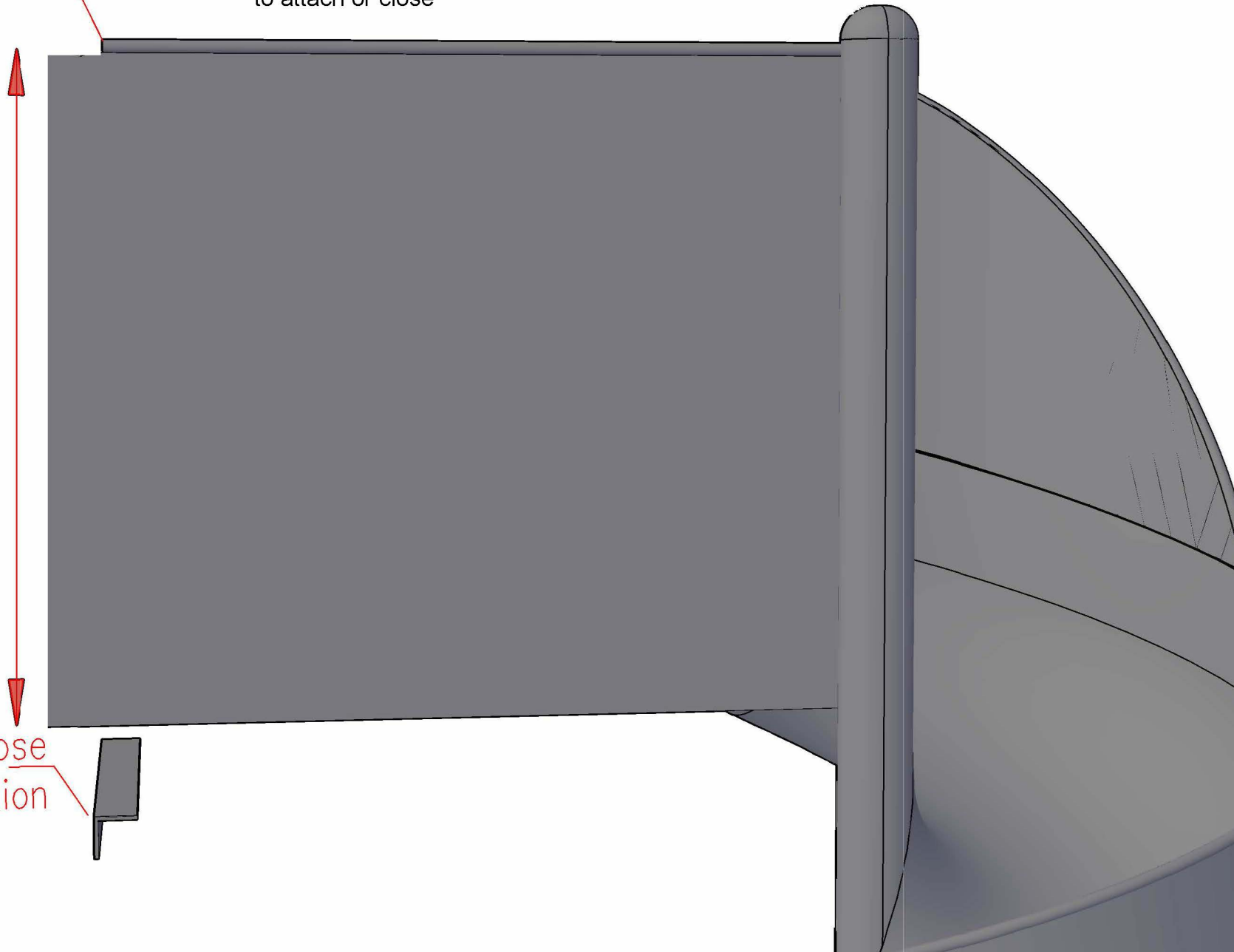


Many of our designs request the ability to configure the entrance/transition deck to be able to easily attach to the barriers present on the upper elevation. This design modification/option allows for each attachment to a squared edge such as a terminus post on the barrier. Create an opening at your upper level, insert O.D. of the box into the I.D. of your opening and bolt to attach or close

Top Rod Cut Back

Front (leading edge) rod removed to facilitate flat or flush surface to join to barrier, rail or entrance framing

Bracket shipped loose
Attach at installation



Preferred
> / = 36"
Centerline to leading edge

